



CME 423 E.



2 electric hotplates.

- 1 x 2.6 kW ring, Ø 220 mm.
- 1 x 2 kW ring, Ø 180 mm.
- Total power: 4.6 kW.
- Electrical supply: 230 V single phase.
- Optional: 400 V without N phase. Additional cost.
- Supplied without shelves.
- Open bay.

CME 423 E W 400 - D 650 - H 900

Warming cabinet option: includes shelves and oven rack.

Door with insulated inner door.

Power of the heating element: 1 kW.

Electric supply: 230 V single phase.

OAC 400

Door option.

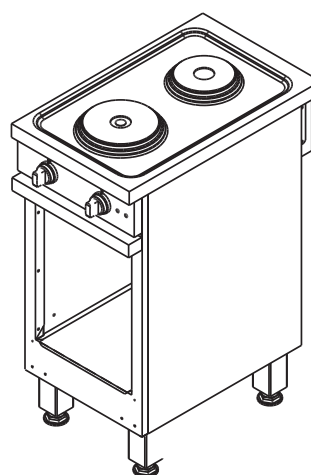
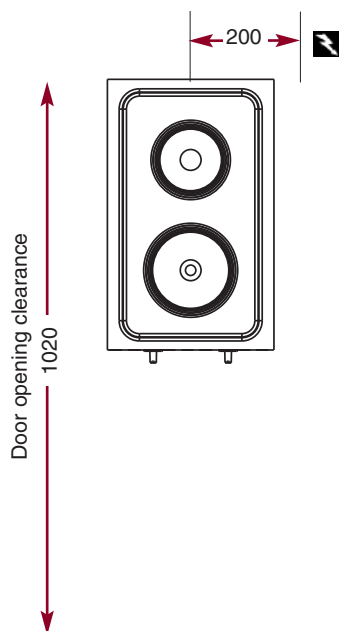
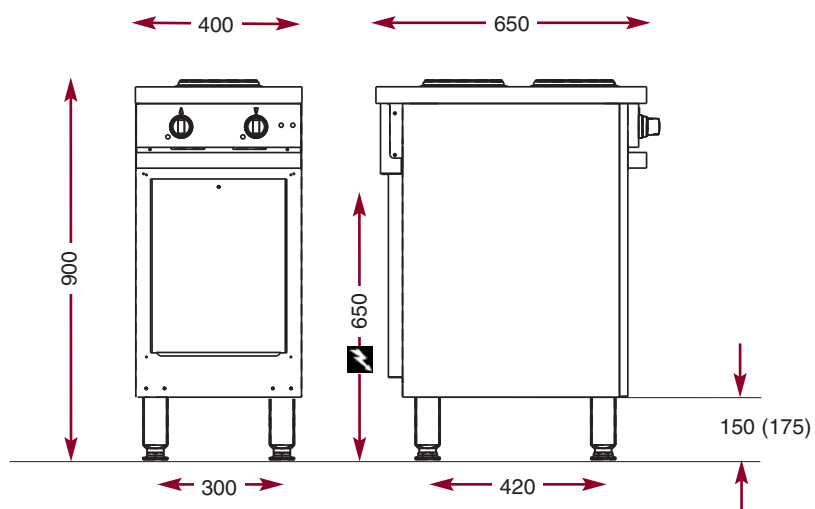
CPM 400

Shelving supports option - 5 levels - takes
Gastronorm 1/1 containers.

ECH 400

2 electric hotplates

CME 423 E



 Electrical connection



The Chef's Choice.